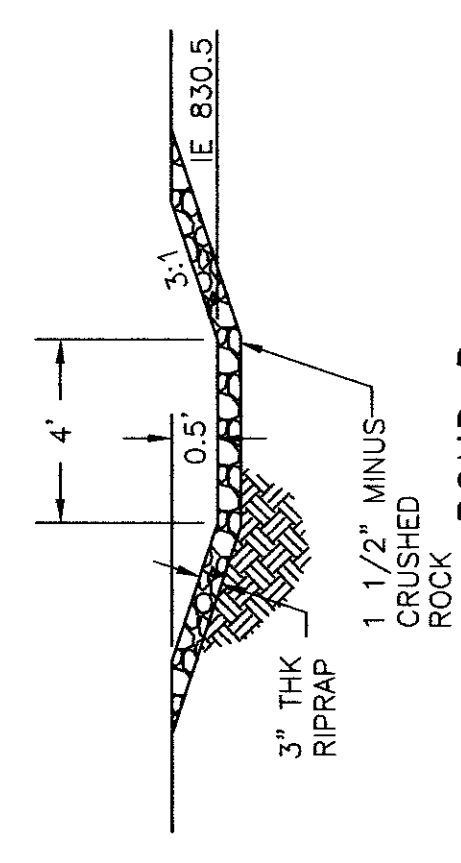


POND D - SECTION G
1" = 10' HOR, 1" = 2' VER

RECEIVED
MAY 2 2010
CITY OF COLLEGE PLACE

* APPROXIMATE SUBJECT TO OBSERVING ECOLOGY'S BEST MANAGEMENT PRACTICES TO PROTECT THE CREEK FROM IMPACTS FROM A DEVELOPMENT. THE CREEK AREAS SHALL BE RESTORED TO ORIGINAL CONDITIONS. REDESIGNMENT PLAN AND REDESIGNING REDESIGNMENT PLAN SHALL BE CONSISTENT WITH THE CURRENT CREEK CHANNEL UNDER THE CURRENT APPROVAL PERMIT. RDG 3/25/10
ALWAYS



OVERFLOW CHANNEL SECTION
NTS



APPROVED:
[Signature]
CITY OF COLLEGE PLACE

DATE: 03-24-10
DRAWN BY: AIB
DWG. NO.: 061-D120

CALL BEFORE YOU DIG (800) 424-5555

PHASE FIVE DEVELOPMENT, LLC

VILLAGES AT GARRISON CREEK PHASE VIII
REVISED POND D

HALL ENGINEERING ASSOCIATES

10 SOUTH AUBURN • KENNEWICK, WA 98336
(509) 582-2200 • FAX (509) 586-2897